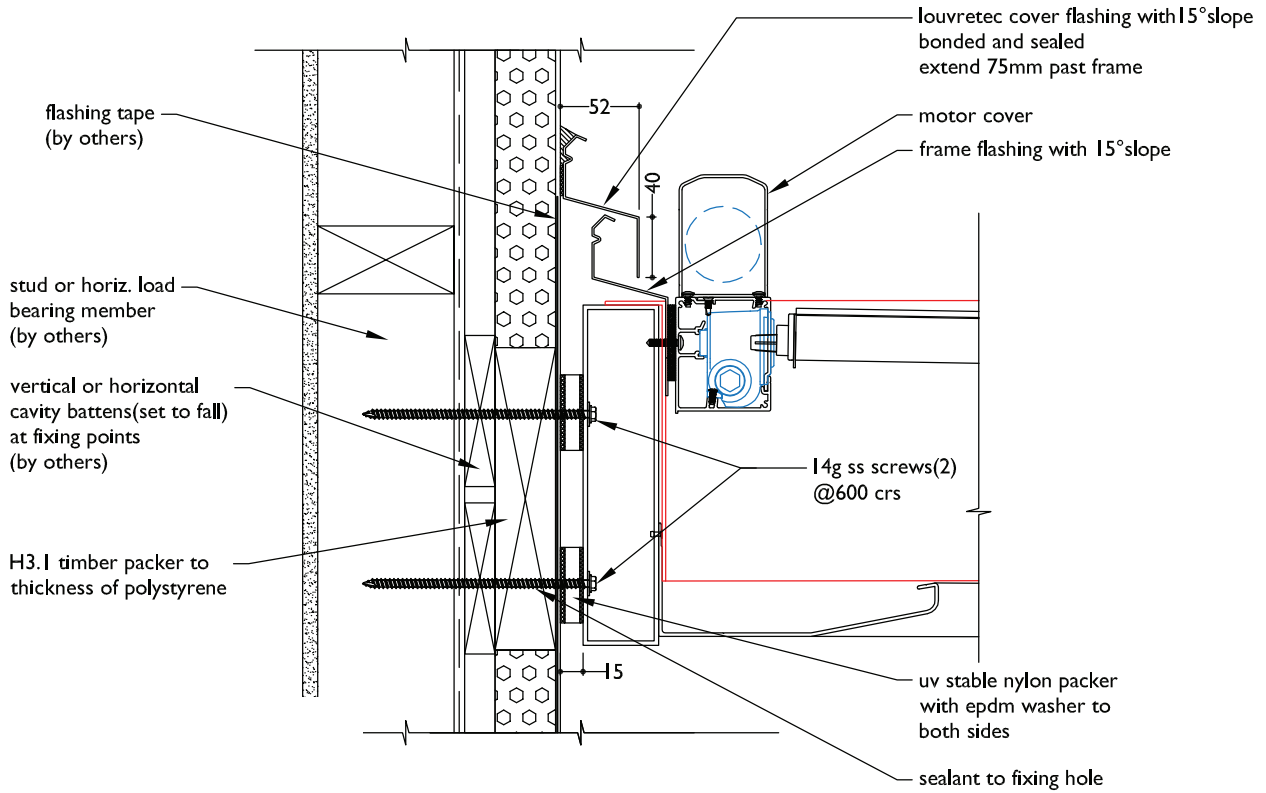


TYPICAL DETAIL : OPENING ROOFS STRUCTURAL FRAME
CONNECTING TO THE BUILDING

SECTION POLYSTYRENE ON TIMBER FRAME - FIXED TO BUILDING
BONDED COVER FLASHING



SECTION CONCRETE - FREE STANDING
FIXED COVER FLASHING

